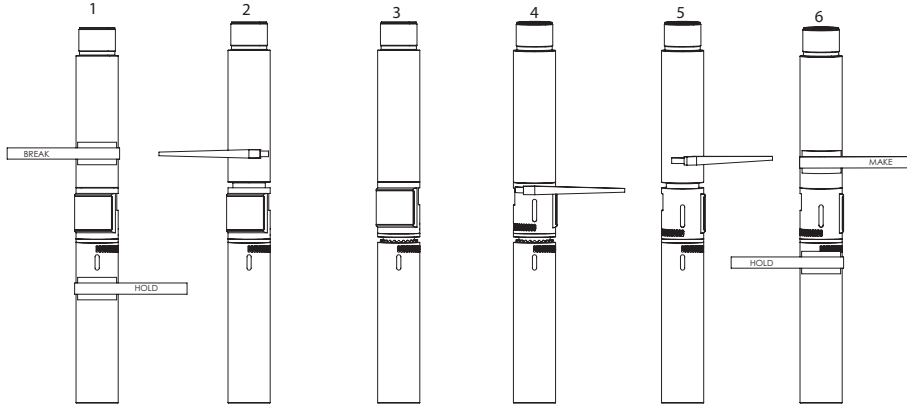


## ADJ Procedure



1. BREAK CONNECTION AS SHOWN
2. CHAIN TONG 3 - 4 TURNS, DO NOT USE ROTARY TABLE
3. RETRACT THE KICK RING
4. CHAIN TONG KICK RING, ALIGN WINDOWS FOR DESIRED SETTING
5. SLIDE KICK RING BACK TO ENGAGE KICK HOUSING, CHAIN TONG SNUG
6. TORQUE TO PROPER SETTING

TOOL TORQUES	3 3/4	4800 Nm	3500 ft. - lb.
	5	16,250 Nm	12,000 ft. - lb.
	6 1/2 - 6 3/4	33,900 Nm	25,000 ft. - lb.
	8	54,000 Nm	40,000 ft. - lb.
	9 5/8	81,300 Nm	60,000 ft. - lb.